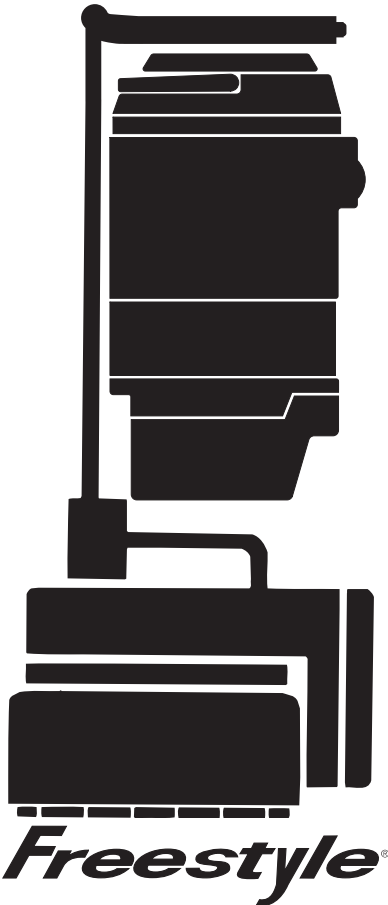


# host<sup>®</sup>

The Dry Extraction  
Carpet Cleaning System



**T7/T71/T73**  
**M40000/M40001/M40003**

REPAIR PARTS CATALOG NO. M30202(S)  
ISSUED January 2010

## ORDERS

Please use Part Numbers when ordering and include the machine Serial Number (found on the electrical data plate) to insure that you will receive the correct parts.

Order from your HOST Distributor.

**Racine Industries, Inc.**  
1405 Sixteenth Street  
P.O. Box 1648  
Racine, WI 53401 USA

☎ 1-262-637-4491  
☎ 1-800-558-9439  
FAX 1-262-637-0558  
[www.hostdry.com](http://www.hostdry.com)

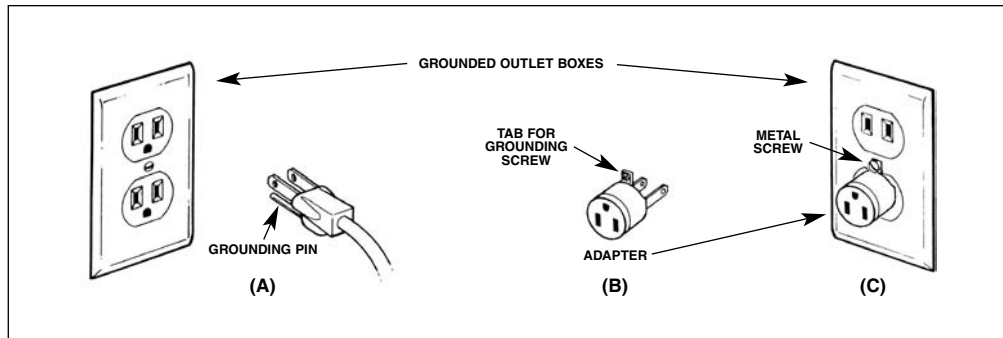
**Parts Catalog**

**SAVE THESE INSTRUCTIONS  
READ ALL INSTRUCTIONS BEFORE USING THIS MACHINE**

WHEN USING ELECTRICAL EQUIPMENT, BASIC PRECAUTIONS SHOULD ALWAYS  
BE FOLLOWED, INCLUDING THE FOLLOWING:

**WARNING—TO REDUCE THE RISK OF FIRE, ELECTRIC SHOCK, OR INJURY**

1. Do not leave machine when plugged in. Unplug from outlet when not in use and before servicing.
2. Do not use outdoors or on wet surfaces.
3. Do not allow to be used as a toy. Close attention is necessary when used by or near children.
4. Use only as described in manufacturer's Instruction Manual. Use only manufacturer's recommended attachments.
5. Inspect cord for damage before each use. Do not use with damaged cord or plug. If machine is not working as it should, has been dropped, damaged, left outdoors, or dropped into water, return it to the manufacturer or authorized repair center.
6. Do not pull or carry by cord, use cord as a handle, close a door on cord, or pull cord around sharp edges or corners. Do not run machine over cord. Keep cord away from heated surfaces.
7. Do not unplug by pulling on cord. To unplug, grasp the plug not the cord.
8. Do not handle plug or machine with wet hands.
9. Do not put any object into openings. Do not use with any opening blocked; keep free of dust, lint, hair, and anything that may reduce air flow.
10. Keep hair, loose clothing, fingers, and all parts of body away from openings and moving parts.
11. Turn off all controls before unplugging.
12. Use extra care when cleaning on stairs.
13. Do not use to pick up flammable or combustible liquids such as gasoline or use in areas where they may be present.
14. Do not use to pick up anything that is burning or smoking, such as cigarettes, matches, or hot ashes.
15. Do not use for picking up health-endangering dust such as asbestos.
16. Do not use as a wet vacuum.
17. Do not use without filters in place.
18. Connect to a properly grounded outlet only. See Grounding Instructions.
19. This machine is to be used with HOST® carpet cleaning products only. Use of other cleaning products may damage this machine.



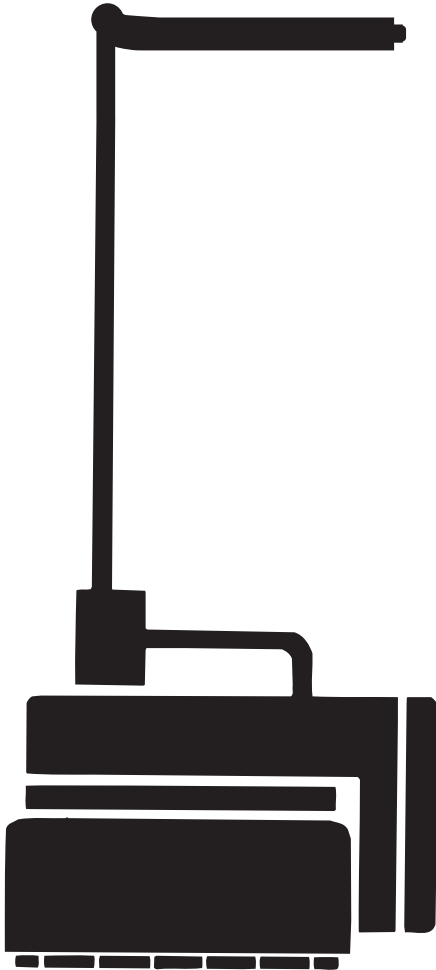
This machine must be grounded. If it should malfunction or break down, grounding provides a path of least resistance for electric current to reduce the risk of electric shock. This machine is equipped with a cord having an equipment-grounding conductor and grounding plug. The plug must be inserted into an appropriate outlet that is properly installed and grounded in accordance with all local codes and ordinances.

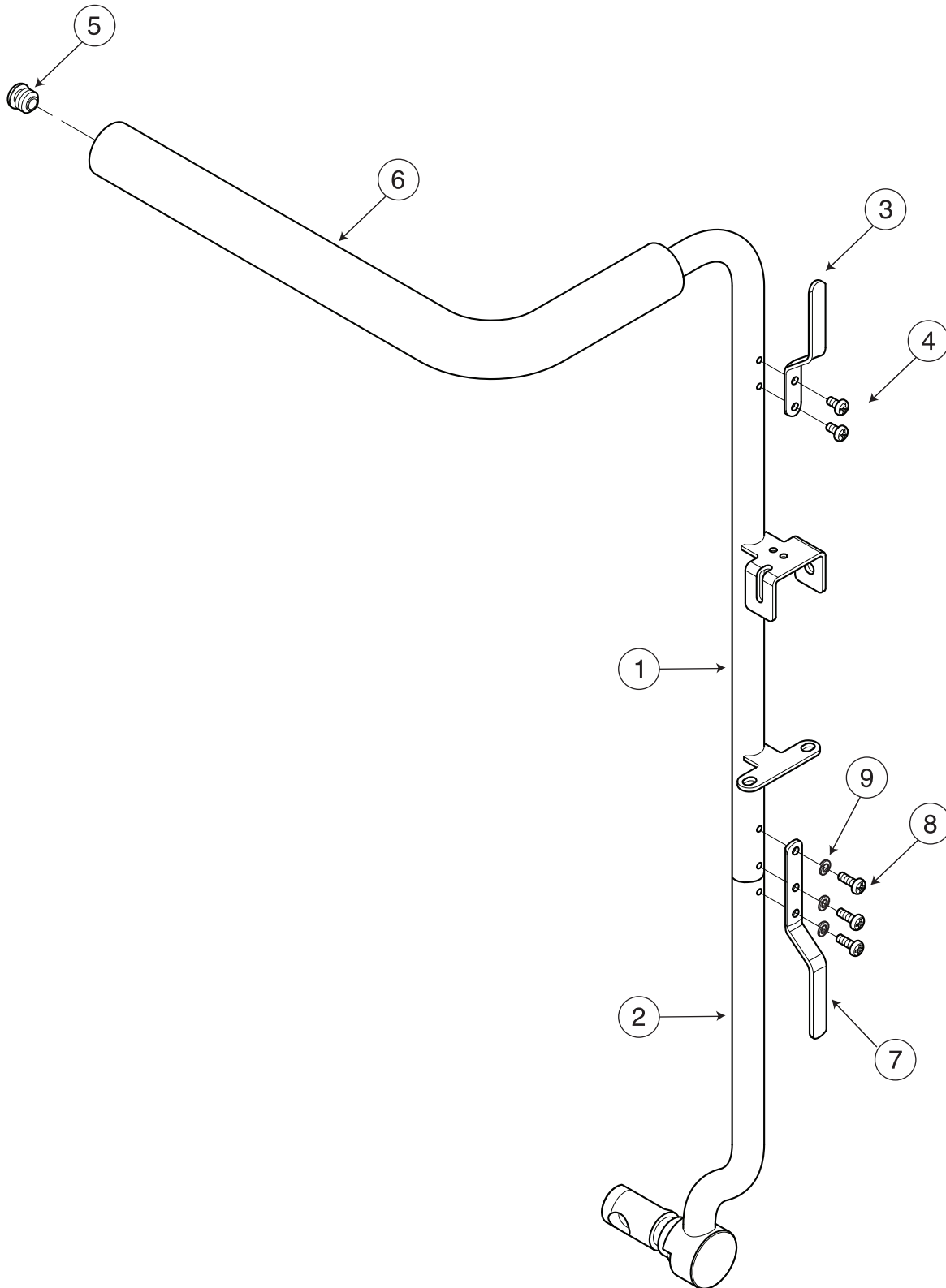
**WARNING:** Improper connection of the equipment-grounding conductor can result in the risk of electric shock. Check with a qualified electrician or service person if you are in doubt as to whether the outlet is properly grounded. Do not modify the plug provided with the machine. If it will not fit the outlet, have a proper outlet installed by a qualified electrician.

This machine is for use on a nominal 120 volt circuit, and has a grounded plug that looks like the plug illustrated in **Diagram A**. A temporary adapter that looks like the adapter illustrated in **Diagram B** may be used to connect this plug to a 2-pole receptacle as shown in **Diagram C** if a properly grounded outlet is not available. The temporary adapter should be used only until a properly grounded outlet can be installed by a qualified electrician. The green colored rigid ear, lug, or the like extending from the adapter as illustrated in **Diagram B**, must be connected to a permanent ground outlet box cover. Whenever the adapter is used, it must be held in place by a metal screw as shown in **Diagram C**.

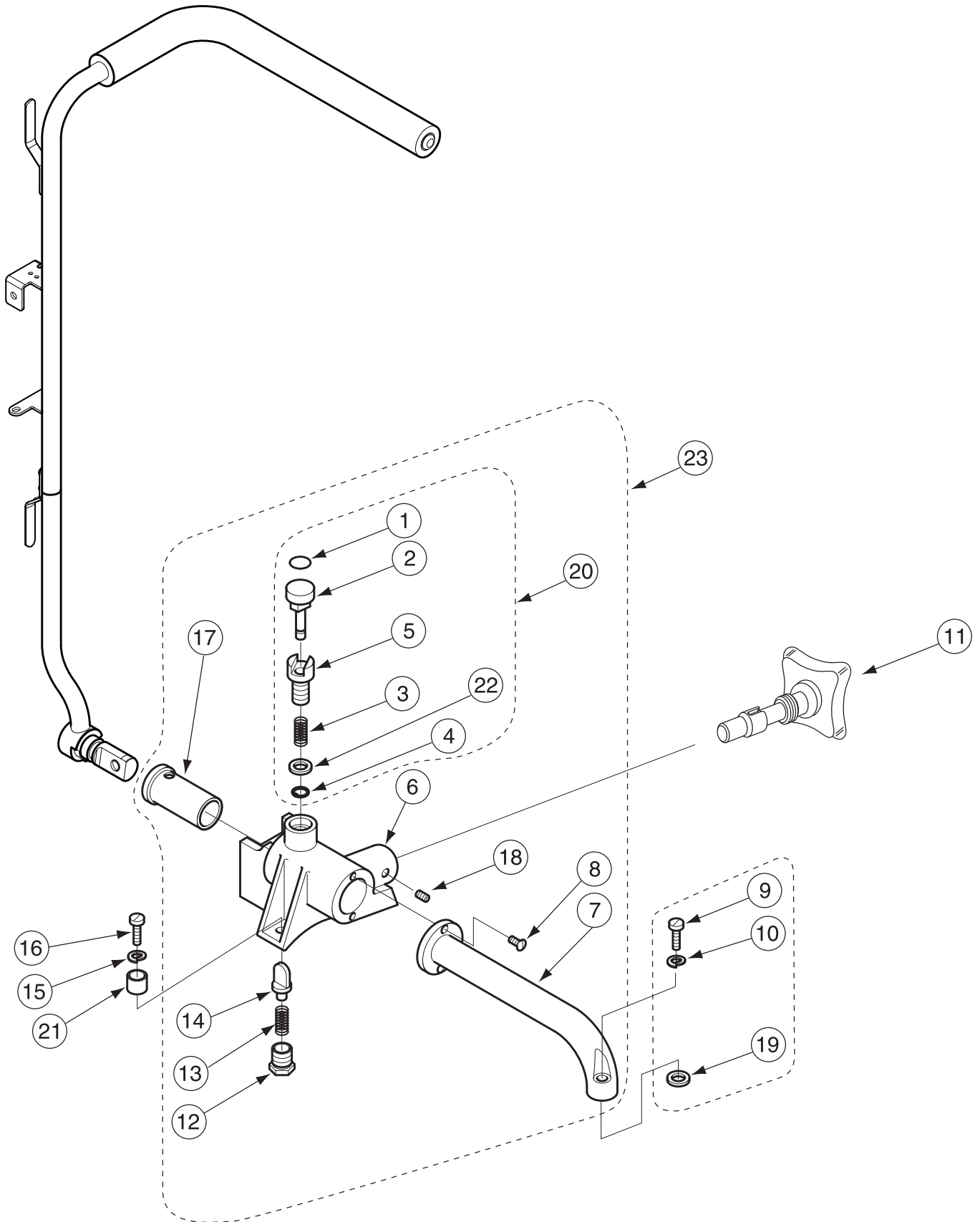
**Note:** In Canada, the use of a temporary adapter is not permitted by the Canadian Electrical Code.

<b>Safety Instructions</b> _____	<b>2</b>
<b>Grounding Instructions</b> _____	<b>3</b>
<b>Section I - T7/T71/T73 Parts</b> _____	<b>5</b>
<b>Operating Handle Assembly</b> _____	<b>6/7</b>
<b>Lifting Handle Assembly</b> _____	<b>8/9</b>
<b>Motor Case Assembly</b> _____	<b>10/11</b>
<b>Outer Gear Case Assembly</b> _____	<b>12/13</b>
<b>Inner Gear Case Assembly</b> _____	<b>14/15</b>
<b>Motor Shroud Assembly</b> _____	<b>16/17</b>
<b>Nozzle/Inner Hood Assembly</b> _____	<b>18/19</b>
<b>Brush &amp; Tray Assembly</b> _____	<b>20/21</b>
<b>Wiring Diagram - 100/120V</b> _____	<b>22</b>
<b>Wiring Diagram - 220/240V</b> _____	<b>23</b>
<b>Section II - M40000/M40001/M40003 VAC Parts</b> _____	<b>25</b>



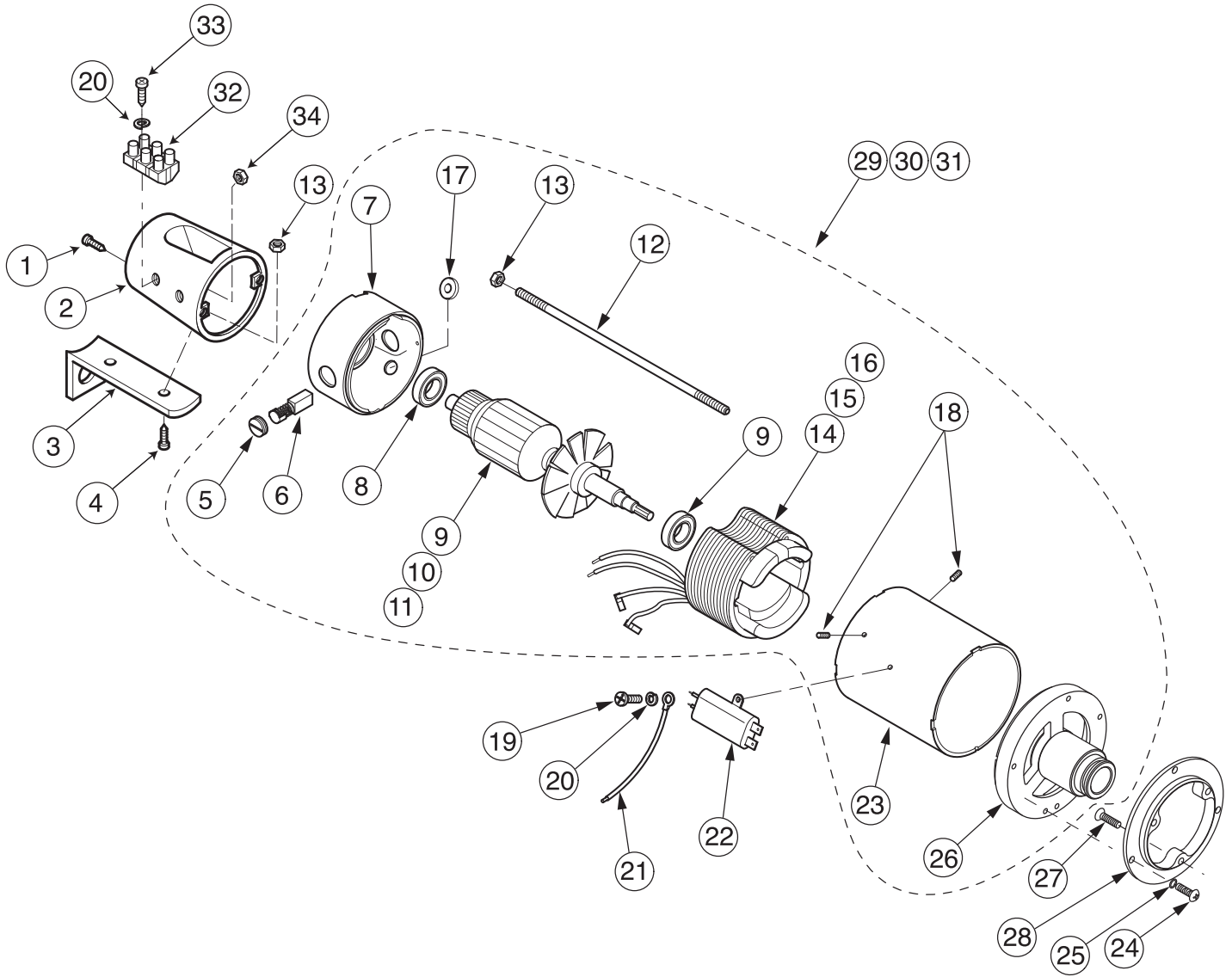


<b>Code No.</b>	<b>Part No.</b>	<b>Description</b>
	<b>M30651</b>	Operating Handle Assembly (Includes Code Nos. 1-9)
<b>1</b>	<b>M30646</b>	Handle, Top Assembly
<b>2</b>	<b>M30644</b>	Handle, Bottom
<b>3</b>	<b>K1031</b>	Cord Hook, Upper
<b>4</b>	<b>M30662</b>	Screw 10-32 x $\frac{3}{8}$ " (2 Required)
<b>5</b>	<b>M30600</b>	Tube Plug
<b>6</b>	<b>M30604</b>	Foam Grip
<b>7</b>	<b>M30647</b>	Cord Hook, Lower
<b>8</b>	<b>M30655</b>	Screw 10-32 x $\frac{7}{8}$ ", Button Head (3 Required)
<b>9</b>	<b>M30663</b>	Lock Washer #10 (5 Required)
<b>*Not Illustrated</b>	<b>M30595</b>	Strain Relief (T7)

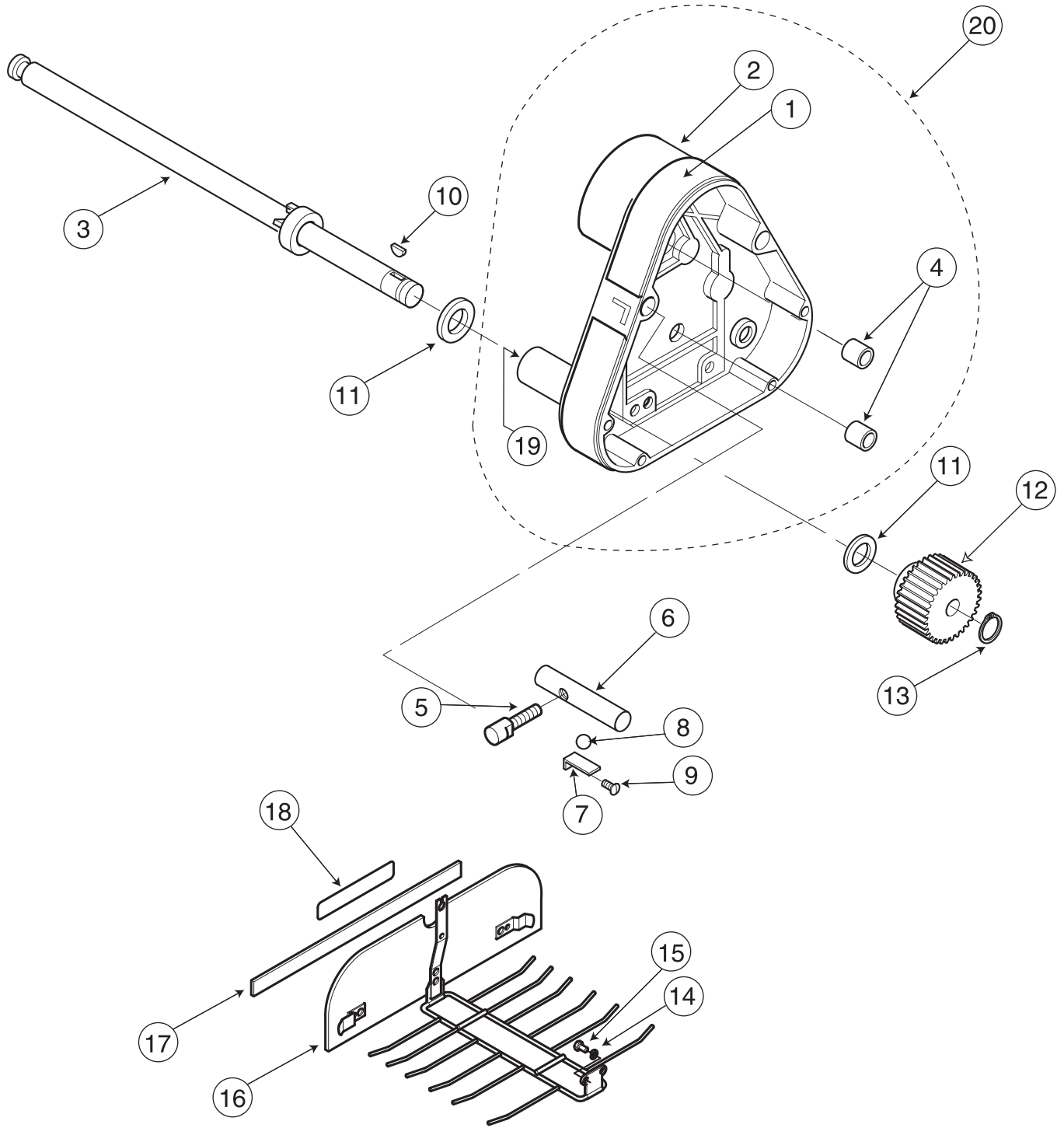




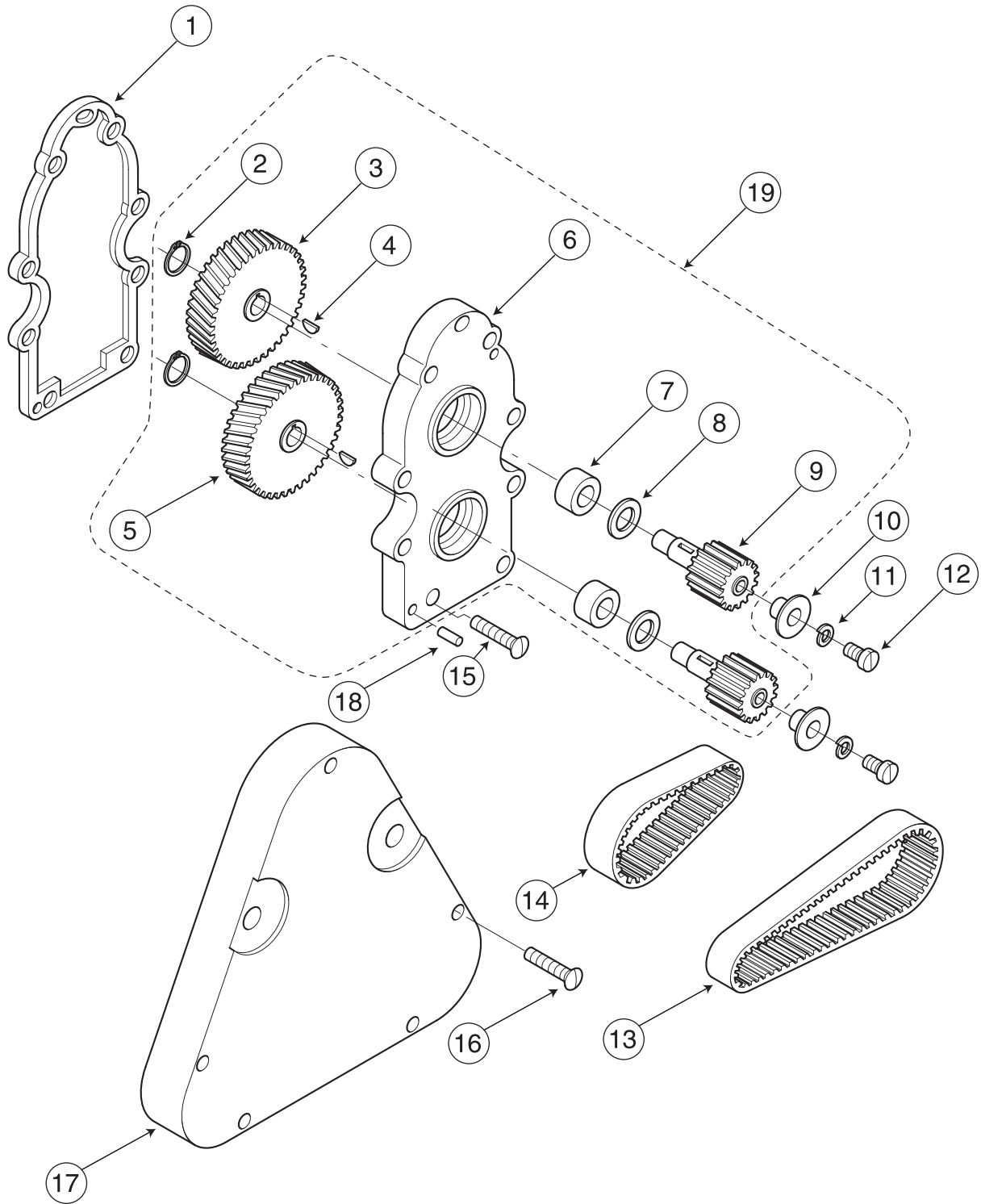
Code No.	Part No.	Description
1	M30140	Decal, Handle Release
2	M30101	Plunger, Handle Release
3	M30117	Spring
4	M30104	Retaining Ring ¼" Shaft
5	M30100	Retainer, Handle Release
6	M30553	Handle Support
7	M30609	Lifting Handle Weldment
8	M30281	Screw 10-32 x ½" (2 Required)
9	M30675	Screw 10-32 x 1½"
10	M30685	Lock Washer #10
11	M30556	Lock Shaft Assembly
12	M30098	Retainer, Temporary Detent
13	M30102	Spring
14	M30182	Temporary Detent
15	M30671	Lock Washer ¼" (2 Required)
16	M30673	Screw 1/4-20 x ¾" (2 Required)
17	M30452	Flange Bearing
18	M30555	Set Screw 8-32 x ¼"
19	M30606	Washer, Flat
20	M30365	Handle Release Assembly
21	M30378	Insulator Tube (2 Required)
22	M30201	Washer, Flat
23	M30554	Lifting Handle Assembly



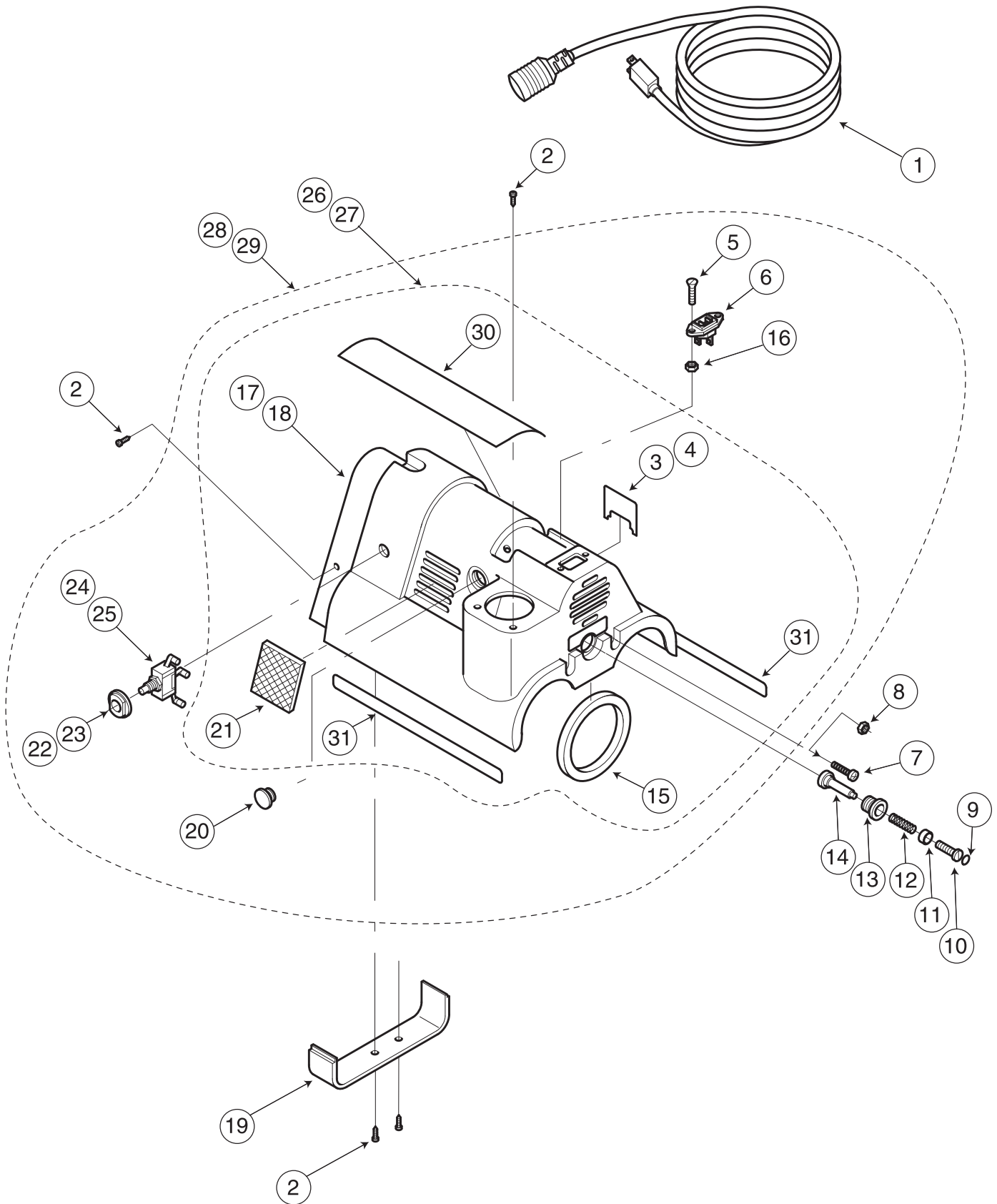
Code No.	Part No.	Description
1	H1072	Screw 8-32 x 1/2" (2 Required))
2	M30062	Motor Exhaust Duct
3	M30619	Support Bracket
4	M7053B	Screw 10-32 x 3/8" (2 Required)
5	1213	Cap, Carbon Brush Holder (2 Required)
6	M50385	Carbon Brush 120V/220V (2 Required)
7	M50435	Commutator End Bell Assembly
8	D443	Bearing (2 Required)
9	M50363	Armature 120V
10	M50383	Armature 220V
11	M50387	Armature 100V
12	M50428	Bolt (2 Required)
13	60	Nut 10-32 (4 Required)
14	M50365	Field Assembly 120V
15	M50384	Field Assembly 220V
16	M50388	Field Assembly 100V
17	M9008	Grommet
18	F1721	Set Screw (2 Required)
19	M50154	Screw 8-32 x 3/16"
20	M5005	Lock Washer #8 (3 Required)
21	M50166	Groundwire Assembly
22	U1193	RFI Filter, Brush Motor 230V
23	M50427	Motor Housing
24	F2771	Screw 10-32 x 1/2" (3 Required)
25	D277	Lock Washer (3 Required)
26	M50436	Fan End Bell Assembly
27	M50251	Screw 10-24 x 3/4" (3 Required)
28	M50250	Adapter Ring
29	M50429	Motor Assembly 120V
30	M50430	Motor Assembly 230V
31	M50431	Motor Assembly 100V
32	M30669	Terminal Block
33	M30147	Screw 8-32 x 7/8" (2 Required)
34	466A	Nut 8-32 (2 Required)



Code No.	Part No.	Description
1	M30361	Gasket, Outer Gear Case
2	M30611	Gear Case Assembly, Outer
3	M30541	Brush Shaft Assembly
4	M6003A	Bearing (2 Required)
5	M30085	Lock Lever
6	M30610	Lock, Caddy
7	M11007A	Spring, Ball-Detent
8	W242	Ball-Detent
9	M11008	Screw 6-32 x $\frac{5}{16}$ "
10	34A	Woodruff Key (2 Required)
11	M2005	Washer, Nylon (4 Required)
12	M30617	Belt Pulley (2 Required)
13	M2008	Retaining Ring $\frac{1}{2}$ " Shaft (2 Required)
14	D277	Lock Washer #10 (2 Required)
15	V115	Screw 10-24 x $\frac{5}{16}$ " (2 Required)
16	M30412	Brush Guard Assembly (Includes Code No. 23)
17	M30136	Hook Fastener
18	M30142	Decal, Warning
19	M11109A	Needle Bearing for Brush Shafts (4 Required)
20	M30665	Outer Gear Case & Bearing Assembly



Code No.	Part No.	Description
1	M12010	Gasket
2	M50351	Retaining Ring $\frac{5}{8}$ " Shaft (2 Required)
3	M50357	Gear, Left Hand
4	U1605A	Woodruff Key (2 Required)
5	M50356	Gear, Right Hand
6	M50353	Inner Gear Case
7	M50352	Bearing (2 Required)
8	M50354	Pulley Flange, Inner (2 Required)
9	M30616	Pulley Shaft (2 Required)
10	M30601	Pulley Flange, Outer (2 Required)
11	D277	Lock Washer #10 (2 Required)
12	F2771	Screw 10-32 x $\frac{1}{2}$ " (2 Required)
13	M30642	Belt, Long
14	M30641	Belt, Short
15	M12011A	Screw 10-32 x $\frac{13}{16}$ " (9 Required)
16	M13015	Screw 6-32 x $1\frac{1}{4}$ " (5 Required)
17	M30411	Gear Case Cover
18	M12013	Dowel Pin $\frac{1}{8}$ " x $\frac{3}{4}$ " (2 Required)
19	M30612	Inner Gear Case Assembly
*Not Illustrated	M12012	Grease, Lithium Base



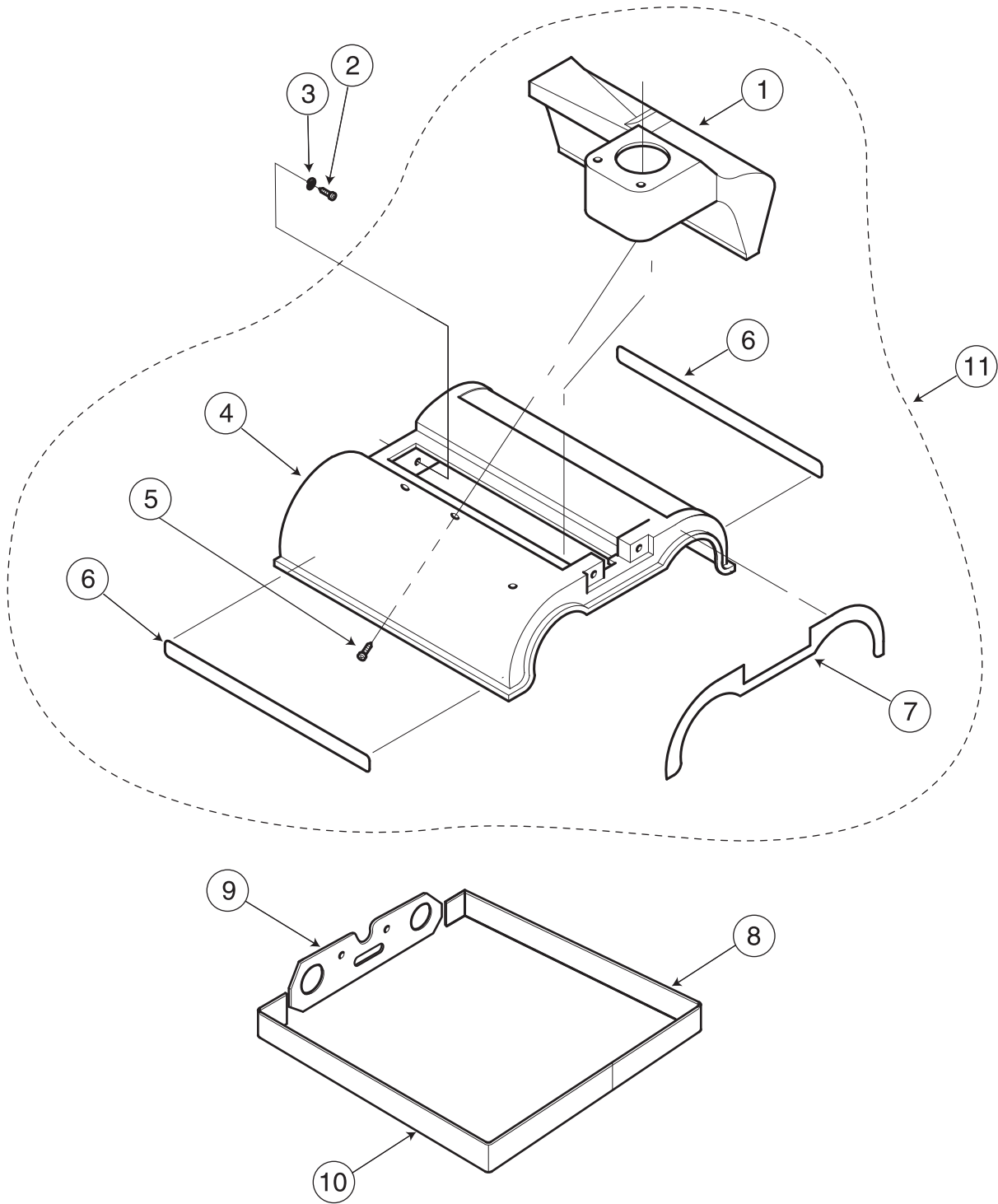


<b>Code No.</b>	<b>Part No.</b>	<b>Description</b>
1	See Below	Power Supply Cord
2	M30145	Screw 8-32
3	M30143	Decal, Accessory Receptacle (T7/T73)
4	M30288	Decal, Accessory Receptacle (T71)
5	F4112	Screw 6-32 x 5/8" (2 Required)
6	M30090	Accessory Receptacle
7	H1072	Screw 8-32 x 1/2", Inner Hood to Motor Shroud (2 Required)
8	466A	Nut 8-32, Hood to Gear Case (2 Required)
9	M30139	Decal, Brush Guard Release
10	M30362	Screw 6-32 x 1/2"
11	M30075	Button, Brush Guard Release
12	M30077	Spring
13	M30074	Housing, Brush Guard Release
14	M30076	Shaft, Brush Guard Release
15	M30093	Gasket, Motor Exhaust
16	F1129	Nut 6-32
17	M30605	Motor Shroud (T7/T73)
18	M30626	Motor Shroud (T71)
19	M30416	Bottom Cover
20	M30667	Cap, Carbon Brush Access (2 Required)
21	M30083	Intake Air Filter (2 Required)
22	M30072	Nut, Switch (T7/T73)
23	M30581	Nut, Switch (T71)
24	M30092	Switch, On/Off 120V (T7/T73)
25	M30627	Switch, On/Off 220/240V (T71)
26	M30622	Motor Shroud Assembly 100/120V (T7/T73)
27	M30623	Motor Shroud Assembly 220/240V (T71) (Also includes Code Nos. 36, 37)
28	M30624	Motor Shroud Assembly w/ Switches 100/120V (T7/T73)
29	M30625	Motor Shroud Assembly w/ Switches 220/240V (T71) (Also includes Code No. 38)
30	M30046	Decal, HOST® Machine
31	M30135	Hook Fastener (2 Required)
*32	M30367	Decal, Switch 220/240V (T71)
*33	M30368	Decal, Circuit Breaker 220/240V (T71)
*34	M30382	Circuit Breaker 220/240V (T71)

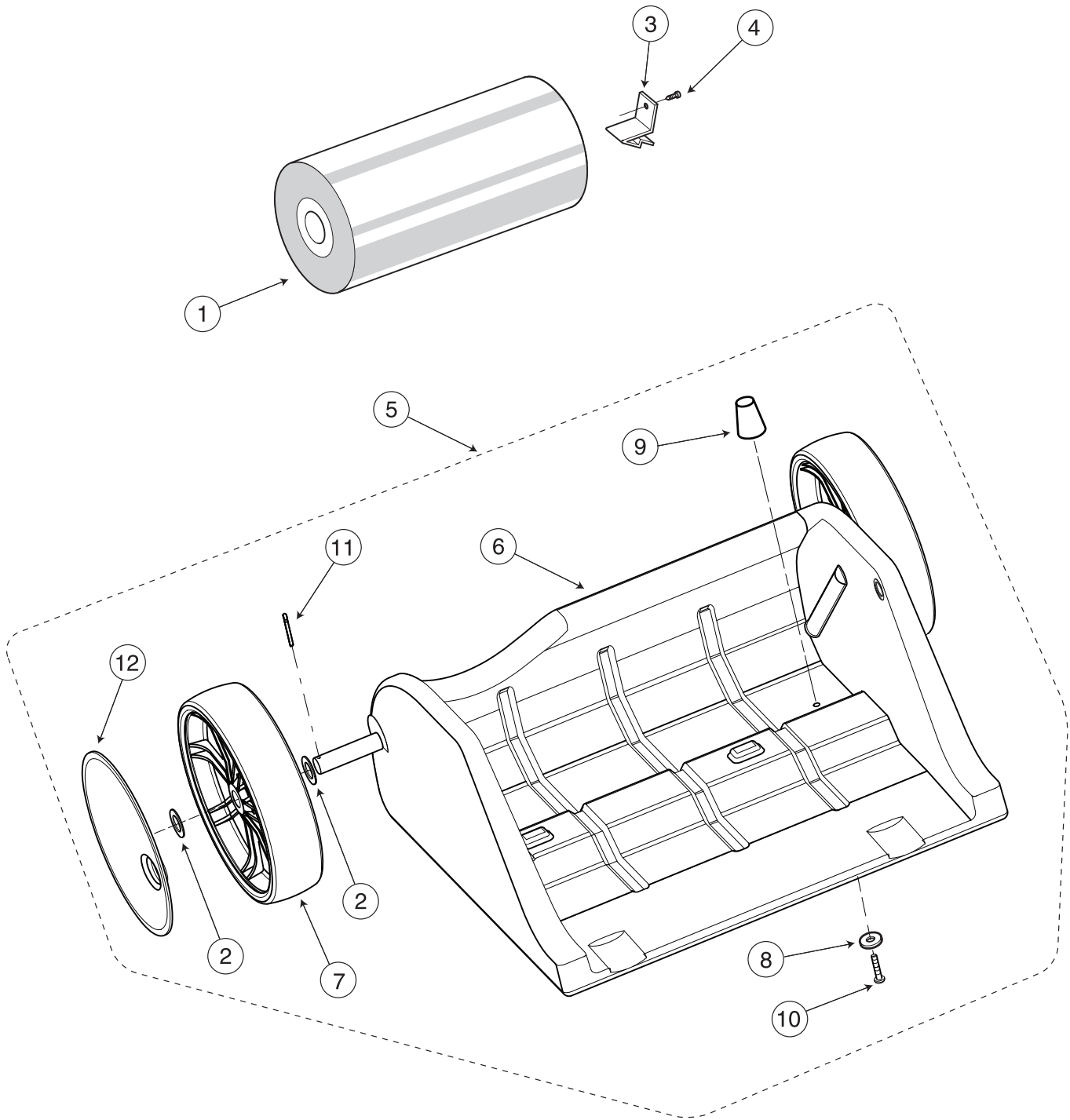
\*Not Illustrated

**Power Supply Cords**

M50272	North America
M40401	Europe
M40402	United Kingdom
M40403	Switzerland
M40404	Italy
M40405	Australia
M40406	Israel
M40407	Denmark
M40408	South Africa



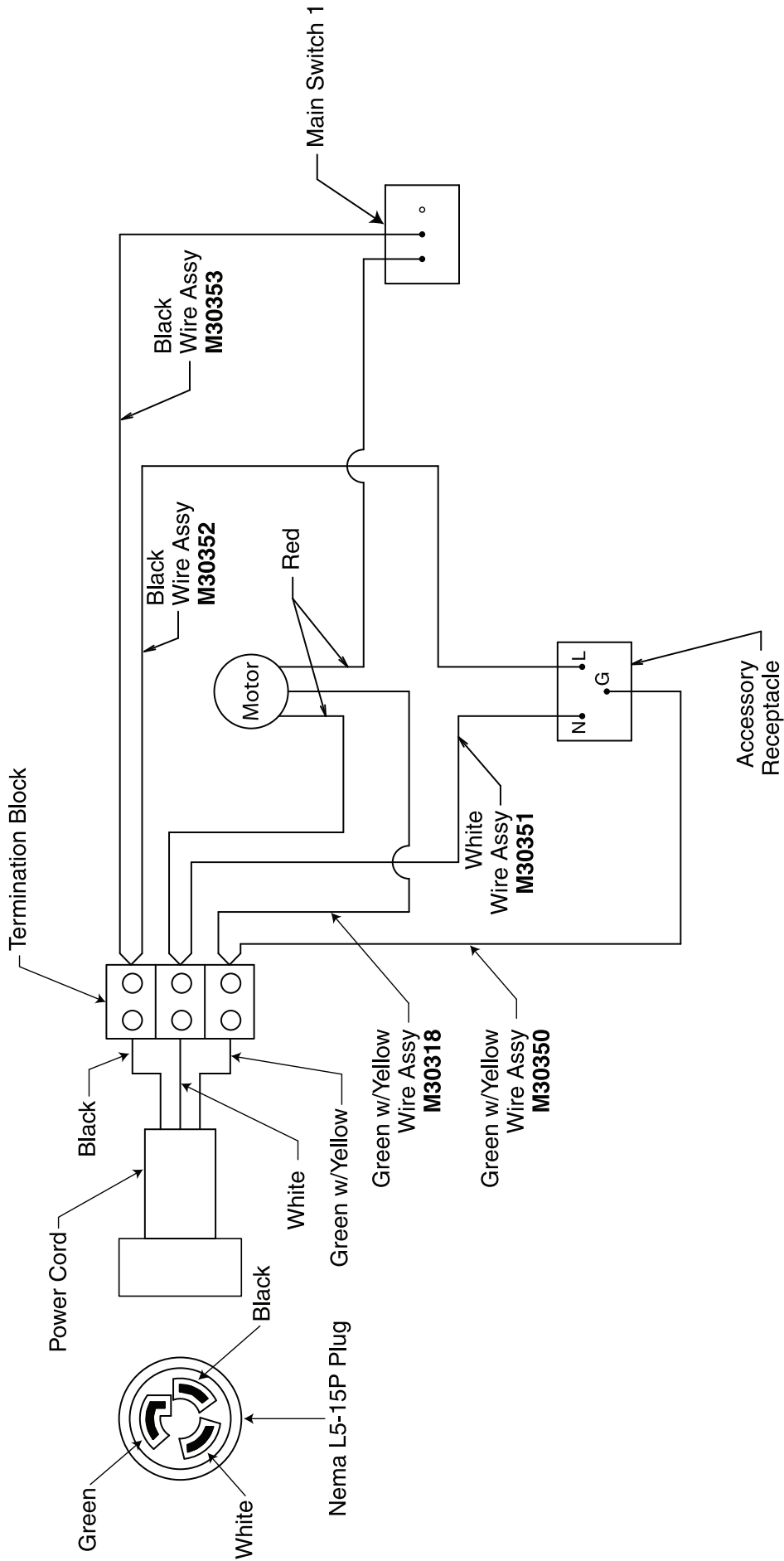
<b>Code No.</b>	<b>Part No.</b>	<b>Description</b>
1	M30508	Pickup Nozzle
2	V115	Screw 10-24 x $\frac{7}{16}$ " , Hood to Gear Case (2 Required)
3	U1018A	Washer #10 (2 Required)
4	M30063	Inner Hood
5	M30145	Screw 8-32 x $\frac{1}{2}$ " , Nozzle to Hood (3 Required)
6	M30284	Gasket, Inner Hood Side (2 Required)
7	M30283	Gasket, Inner Hood End (1 Required)
8	M30393	Skirt, Short
9	M30392	Skirt, End Piece
10	M30394	Skirt, Long
11	M30496	Inner Hood Sub-assembly



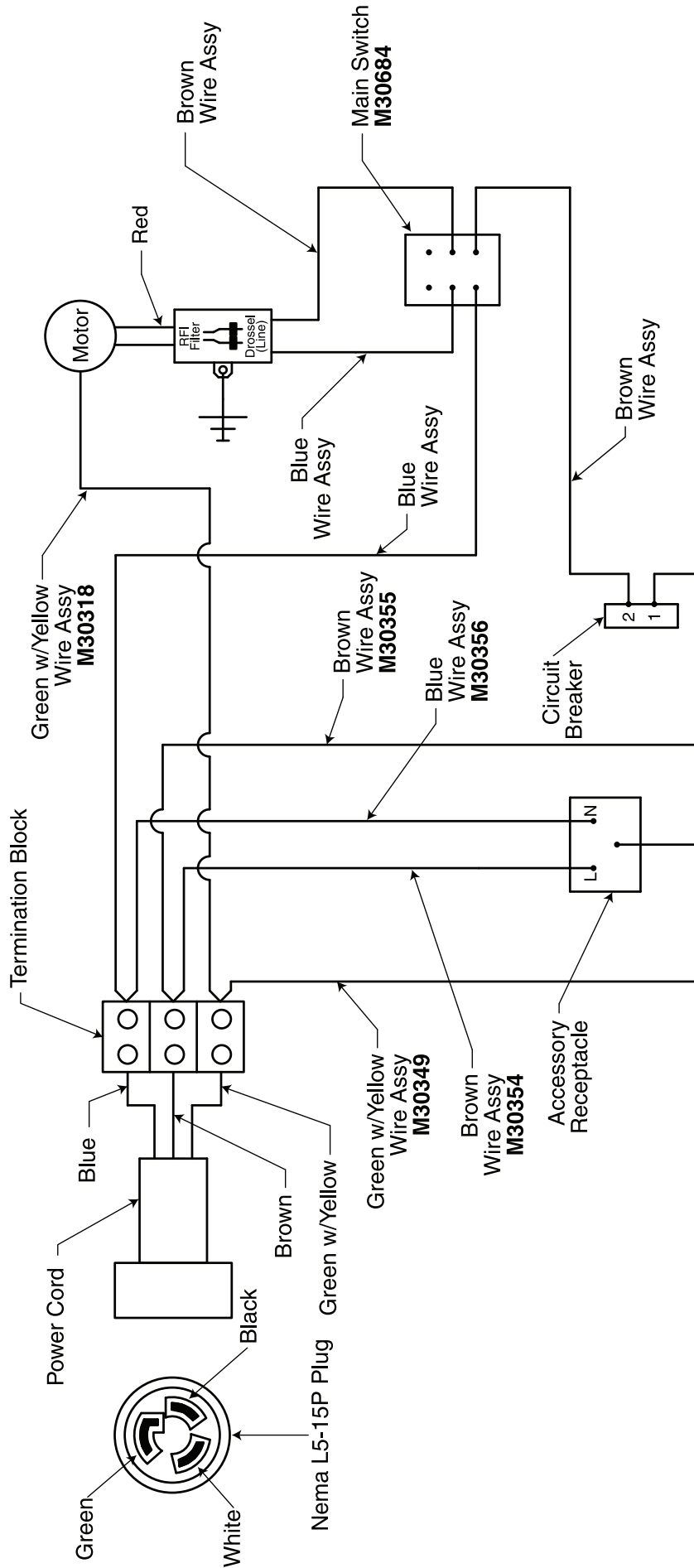
Code No.	Part No.	Description
1	See Below	Brush (2 Required)
2	F817	Washer, Nylon (4 Required)
3	M1014	Spring Clip (1 Required per Brush)
4	V703A	Screw #4 x 3/8" Self-Tapping (1 Required per Brush)
5	M40300	Tray Assembly
6	M30011	Tray
7	F824	Wheel (2 Required)
8	M30073	Washer, Flat (2 Required)
9	M30211	Tray Standoff (2 Required)
10	M50146	Screw 10-32 x 1"
11	F507	Cotter Pin (2 Required)
12	F823	Hub Cap, Black (2 Required)

#### Brushes (Assembly Contains 2)

M1018	Brush Assembly, Gold (Soft)
M1019	Brush Assembly, White & Gold (Semisoft)
M1020	Brush Assembly, White (Standard)
M1021	Brush Assembly, Zebra (Firm)
M1023	Brush Assembly, Red (Firm, for Grouted Tile Only)



Wiring Diagram 100/120V

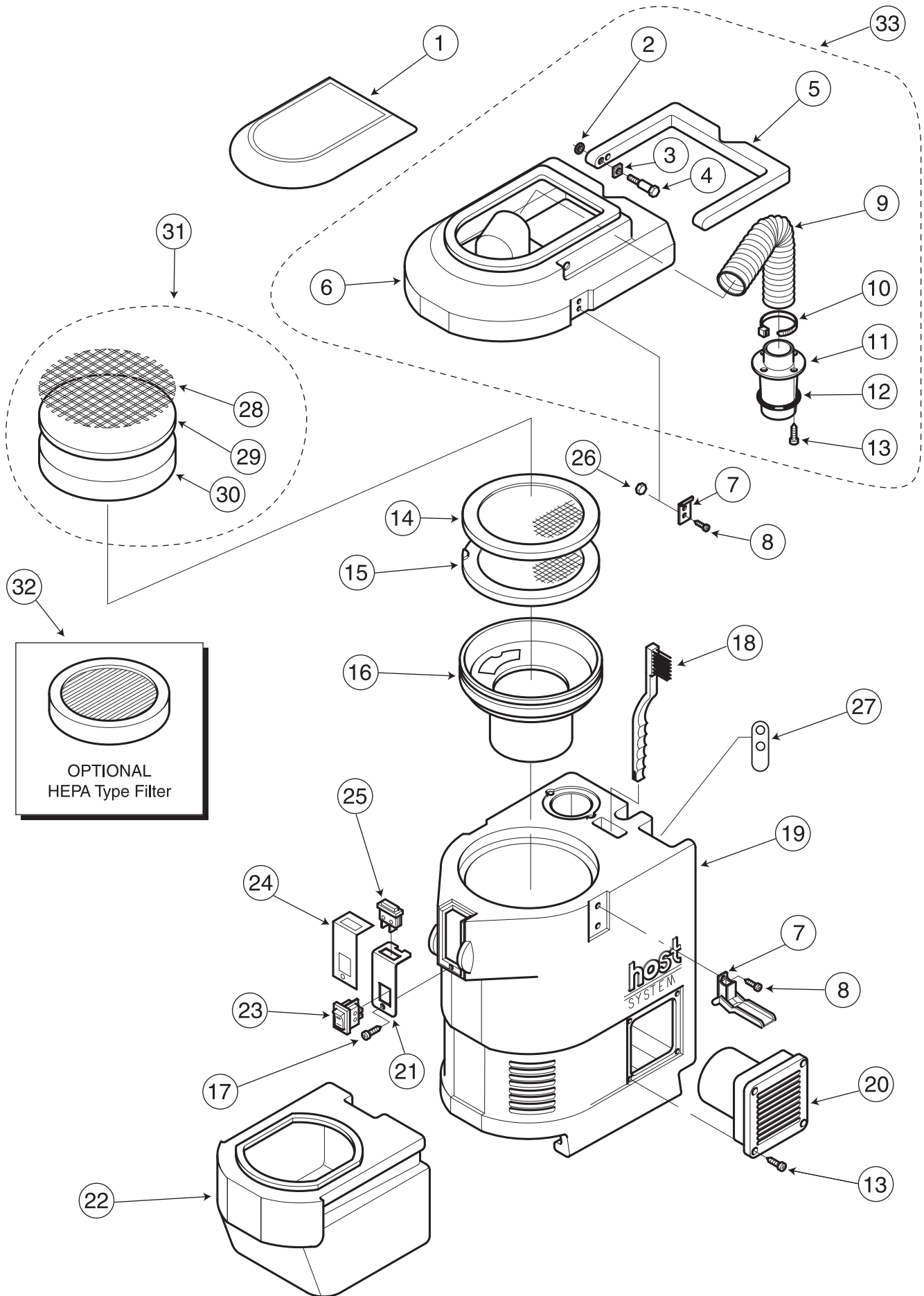


Wiring Diagram 220/240V

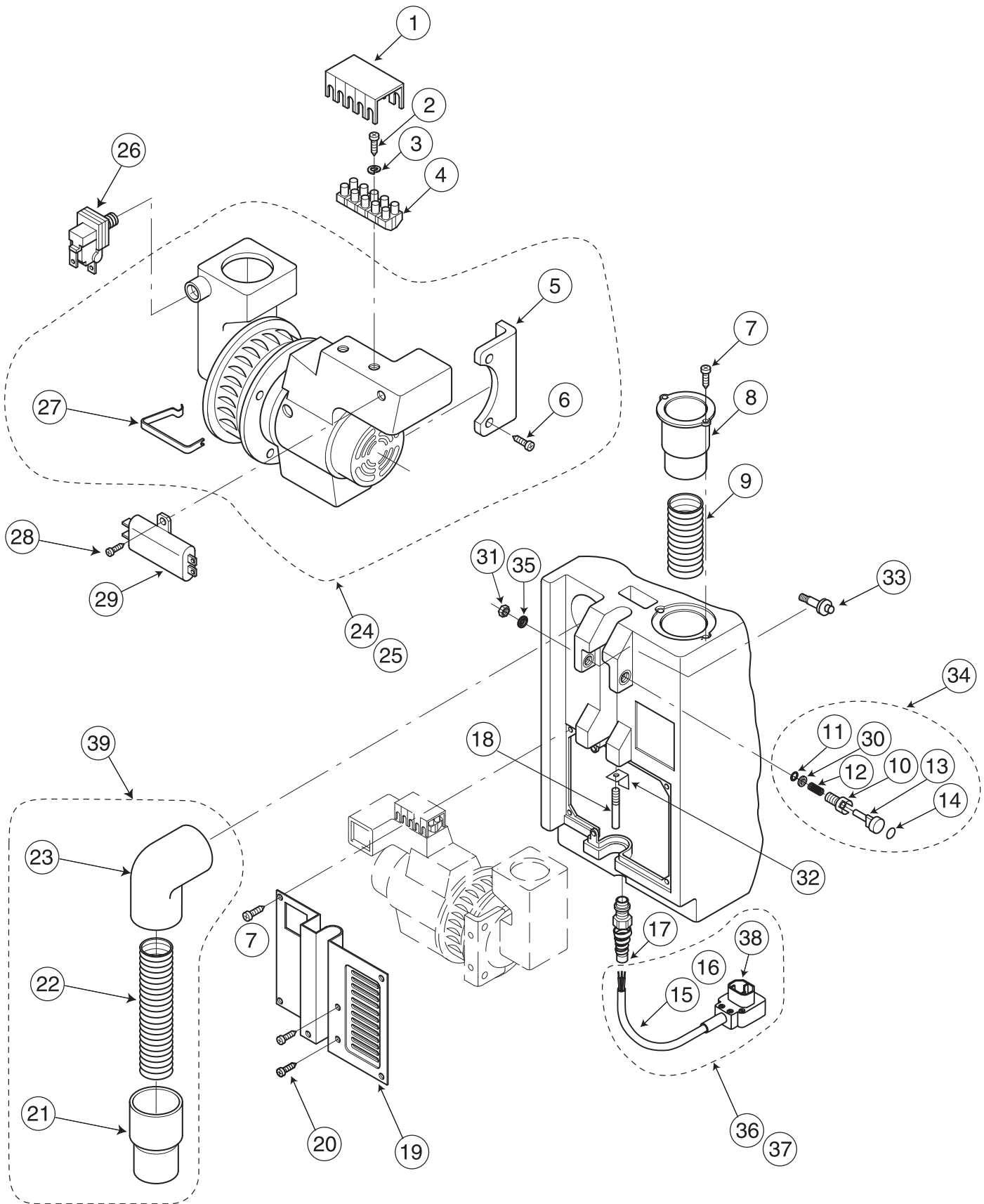
<b>Section II - M40000/M40001/M40003 Vac Parts</b> _____	<b>25</b>
<b>Vac Assembly</b> _____	<b>26/27</b>
<b>Vac Motor Assembly</b> _____	<b>28/29</b>
<b>Vac Wiring Diagram - 100/120V</b> _____	<b>30</b>
<b>Vac Wiring Diagram - 220/240V</b> _____	<b>31</b>



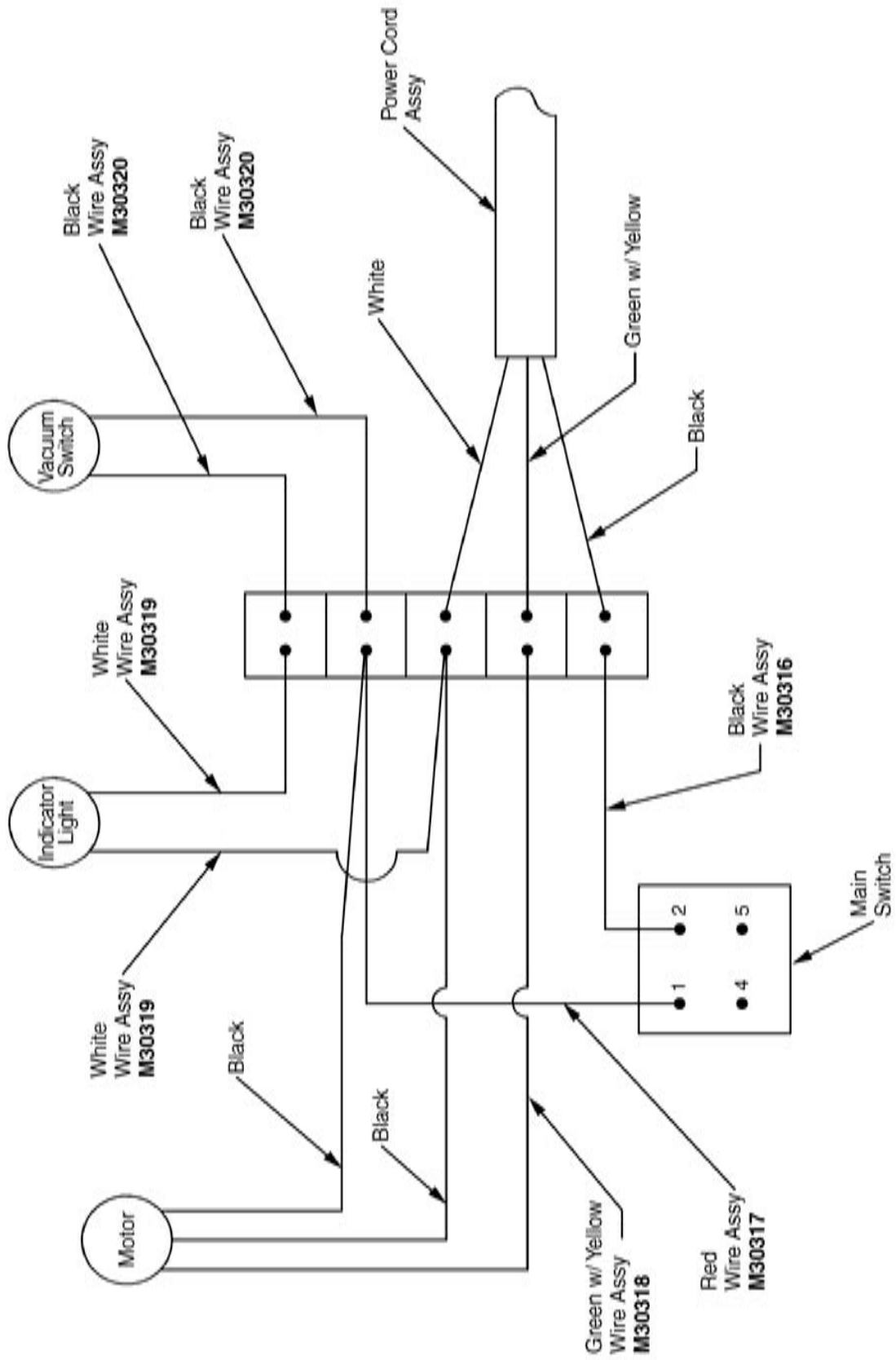




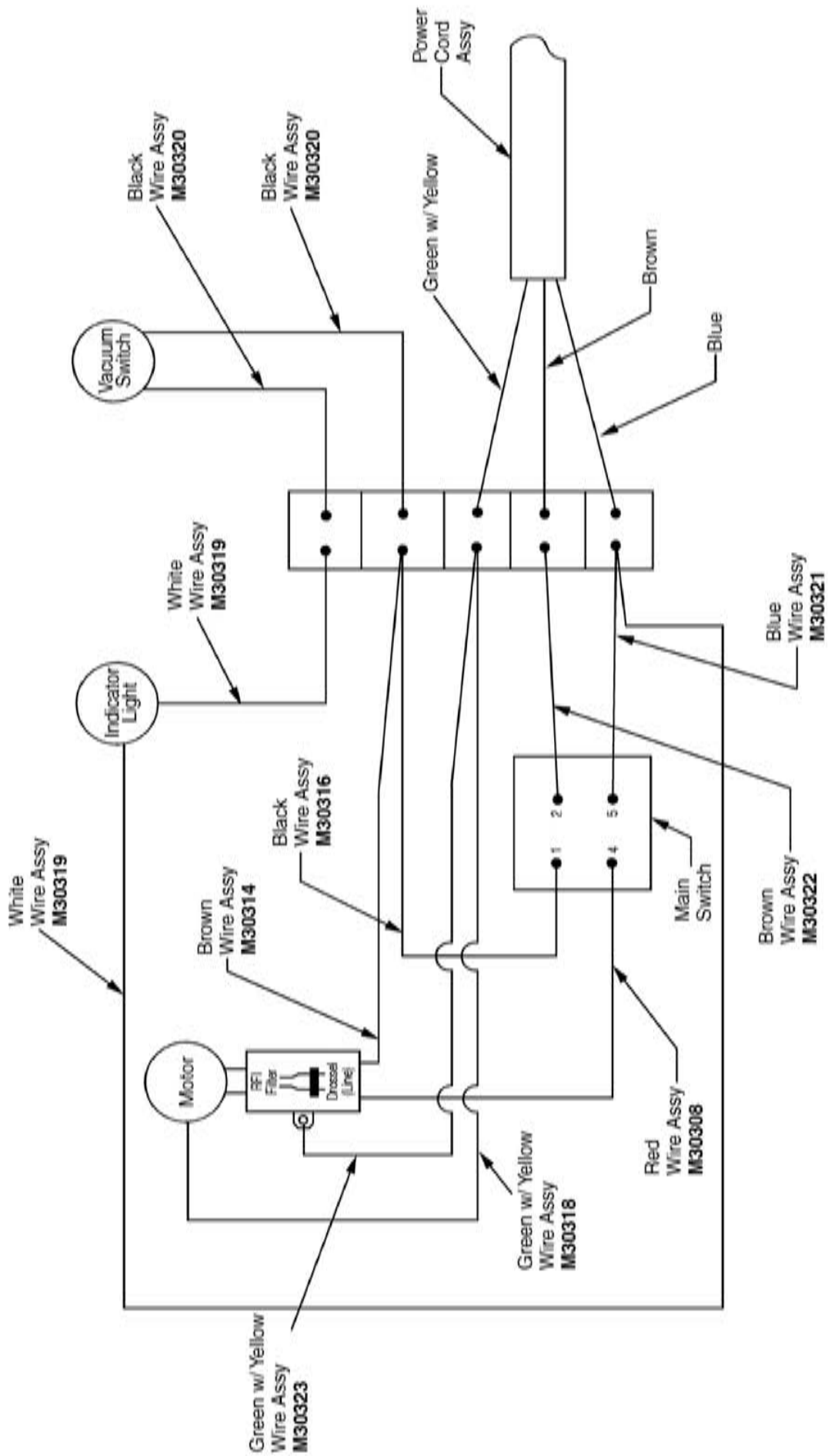
Code No.	Part No.	Description
1	M30584	Cover, Filter Housing
2	W529	Nylon Washer, Flat (2 Required)
3	M30172	Washer, Square (2 Required)
4	L2012	Screw, Shoulder (2 Required)
5	M30010	Carrying Handle
6	M30003	Filter Housing
7	M30028	Latch Assembly (2 Required)
8	H1072	Screw 8-32 x ½" (8 Required)
9	M30048	Vacuum Hose
10	X206	Cable Tie
11	M30021	Plug, Filter Housing
12	M30022	O-Ring
13	M30145	Screw 8-32 x ½" Thread Forming (8 Required)
14	M30040	Filter, Secondary, Black Seal
15	M30039	Filter, Primary, Orange Seal
16	M30152	Separator Assembly
17	V703A	Screw #4 x ¾" Self-Tapping (1 Required)
18	M30058	Brush Filter Cleaning
19	M30548	Vac Pod 120V
	M30549	Vac Pod 220V
	M30550	Vac Pod 100V
20	M30009	Cover, Motor Cooling Air Intake
21	M30015	Switch Plate
22	M30255	Recovery Bin Assembly
23	M30050	Switch, On/Off
24	M30043	Decal, Switch Plate
25	M30051	Indicator Lamp
26	466A	Nut 8-32 (4 Required)
27	M30213	Catch Plate 8-32 Thread (2 Required)
28	M30389	Filter, Backing Screen
29	M30390	Filter, White Felt
30	M30391	Filter, Gray Foam
31	M30474	Filter Pack, 3-Piece Fine Particle
32	M30106	Filter, HEPA Type (Optional)
33	M30151	Filter Housing Assembly



Code No.	Part No.	Description
1	M30054	Terminal Block Cover
2	M30147	Screw 8-32 x 7/8" (2 Required)
3	M5005	Lock Washer #8 (2 Required)
4	M30053	Terminal Block
5	M30016	Motor Mounting Plate
6	M30216	Screw #10 x 5/8" Self-Tapping (4 Required)
7	M30145	Screw 8-32 x 1/2" Thread Forming (7 Required)
8	M30020	Flange-Pod
9	M30049	Vacuum Hose
10	M30041	Retaining Nut, Pod Release
11	M30103	Retaining Ring 3/8" Shaft
12	M30111	Spring, Compression
13	M30042	Plunger, Vac Pod Release
14	M30138	Decal, Vac Pod Release
15	M30398	Power Supply Cord 100/120V
16	M30399	Power Supply Cord 220/240V
17	M30057	Strain Relief
18	M30036	Locating Pin, Vac Pod (2 Required)
19	M30008	Back Plate
20	M7053B	Screw 10-32 x 3/8" (2 Required)
21	M30027	Hose Cuff
22	M30047	Vacuum Hose, Black
23	M30156	Vacuum Elbow Assembly
24	M30150	Vacuum Motor Assembly 100/120V
25	M30221	Vacuum Motor Assembly 220/240V (Includes Code Nos. 28, 29)
26	M30052	Vacuum Sensor Switch
27	M30171	Spring Clip (2 Required)
28	D174B	Screw 8-32 x 1/4"
29	M4222	RFI Filter 220/240V (T71)
30	M30149	Washer, Flat
31	X422	Nut 10-24
32	M30197	L-Bracket (2 Required)
33	M30199	Alignment Post
34	M30364	Vac Pod Release Assembly
35	M30073	Washer, Flat
36	M30531	Power Supply Cord Assembly 100/120V (Includes Code Nos. 15, 38)
37	M30532	Power Supply Cord Assembly 220/240V (Includes Code Nos. 16, 38)
38	M30462	Plug, Shrouded Right Angle Male
39	M30597	Vac Hose Assembly
*Not Illustrated	M30524	Replacement Carbon Brush Assembly 100/120V
*Not Illustrated	M30530	Replacement Carbon Brush Assembly 220/240V



Wiring Diagram 100/120V



Wiring Diagram 220/240V

© 2010  
**Racine Industries, Inc.**  
1405 Sixteenth Street  
P.O. Box 1648  
Racine, WI 53401 USA

☎ (800) 558-9439  
☎ (262) 637-4491  
FAX (262) 637-0558  
[www.hostdry.com](http://www.hostdry.com)

HOST, Freestyle and extractorVAC are registered trademarks of Racine Industries, Inc., Racine, Wisconsin USA.



**host**  
The Dry Extraction  
Carpet Cleaning System

**M30202(S)**